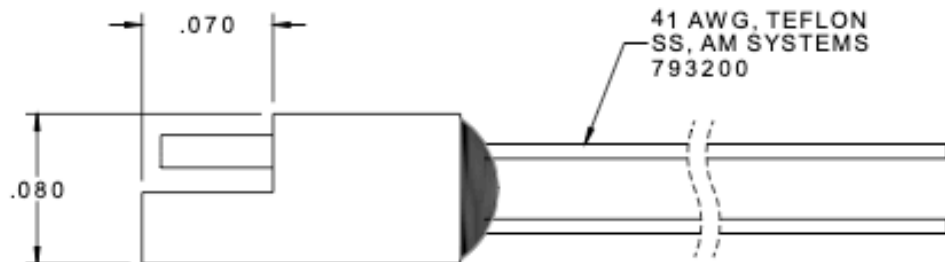
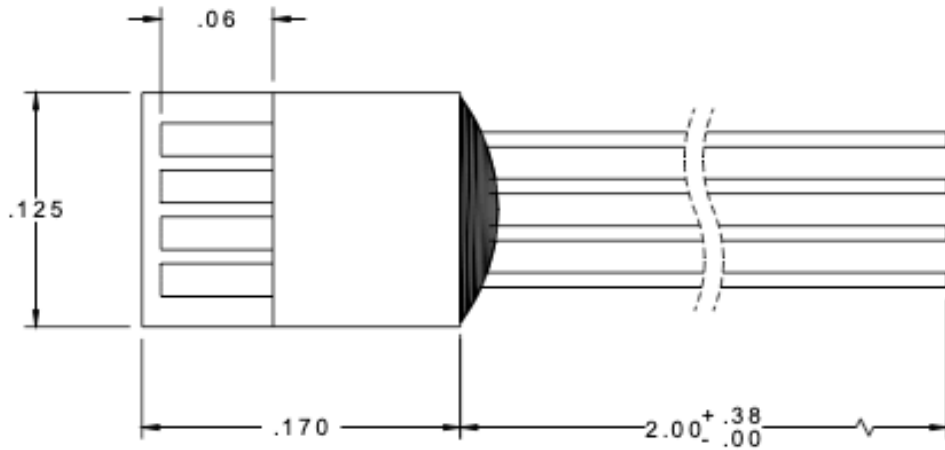
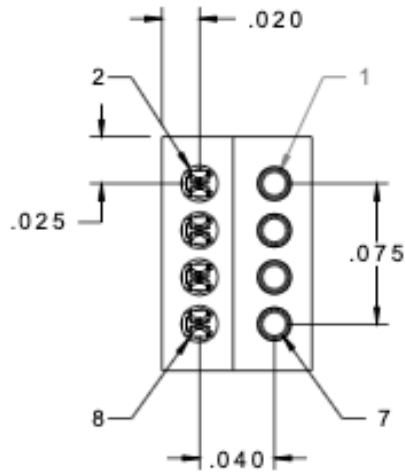


PART NO.	A78914-001	REV	ECO	DATE	APP
		1			



ACTUAL SIZE
EXCLUDING
WIRE LENGTH



Drawing Approval

Date

PZN	THIRD ANGLE
	-TOLERANCES- UNLESS OTHERWISE NOTED DIMENSIONS IN INCHES
SLDW	2 PL DEC ± .01
	3 PL DEC ± .005
	4 PL DEC ± .0005
	ANGLES ± 1°

THIS DRAWING CONTAINS CONFIDENTIAL AND PROPRIETARY INFORMATION WHICH IS THE PROPERTY OF OMNETICS CONNECTOR CORP. THIS DOCUMENT MAY NOT, IN WHOLE OR IN PART, BE DUPLICATED, OR DISCLOSED FOR ANY PURPOSE, WITHOUT WRITTEN PERMISSION FROM OMNETICS CONNECTOR CORP.

TITLE: (8) CONTACT POLARIZED MALE/FEMALE NANO CONNECTOR
DFTM. DWP
DATE: 05-02-23

OMNETICS
CONNECTOR CORPORATION
8840 EVERGREEN BLVD.
MINNEAPOLIS, MN 55433
WWW.OMNETICS.COM

REF: OPEN SOURCE INSTRUMENT

DWG NO.	CAGE CODE 61873
A78914-001	
SHEET 1 OF 1	SCALE: 10:1
REV 1	